

Speaker

Model: OSS41-1712-9A1.0W8-C



ELECTRICAL SPECIFICATIONS

	Condition	Parameter	Unit
Sound Pressure Level	at 1W, 10cm [at 2.0KHz], free air	97 ± 3	dB
Impedance	at 2.83Vrms, 2000Hz	8 ± 15%	Ω
Rated Input Power		1	W
Max Input Power		1.2	W
Resonant Frequency (Fo)	at 2.83Vrms, 10cm	1250 ± 20%	Hz
Frequency Range		Fo ~ 20000	Hz
Buzzer & Rattles	not be audible at sine wave between 200 ~ 2KHz	2.83	V
Operating Temperature		-30 ~ 60	°C
Magnet		Nd-Fe-B	
Frame Material		Plastic	
Cone Material		PEEK	
Weight		5	g
Dustproof And Waterproof Level	IEC 529 edition 2.0 (1989)	IP68	

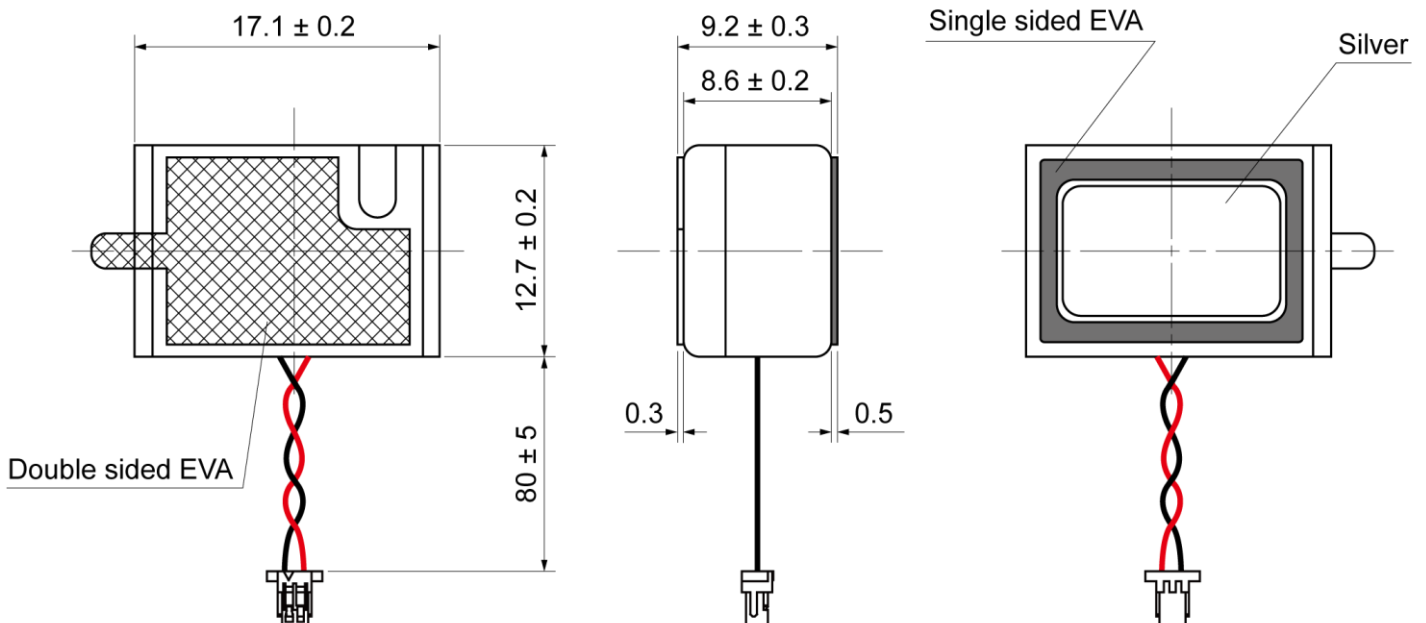
MECHANICAL DRAWING

Dimensions in mm

Wire: 80mm, UL1571, AWG#30

Tolerance ±0.5mm Except Specified

Connector: JST SHR-02V-S-B



Speaker

Model: OSS41-1712-9A1.0W8-C

FREQUENCY RESPONSE CURVE

